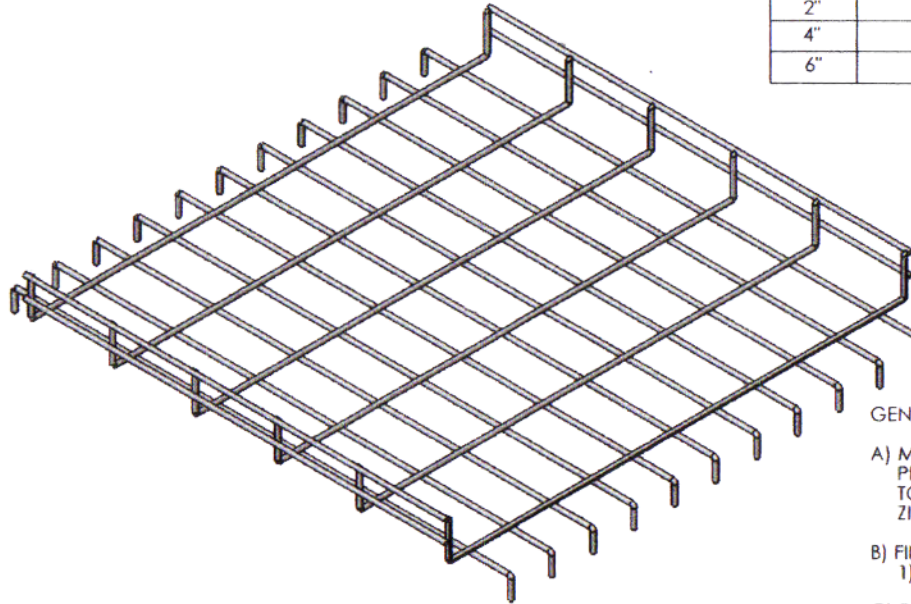
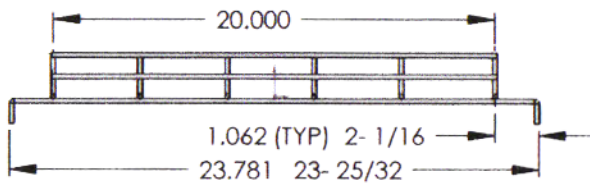
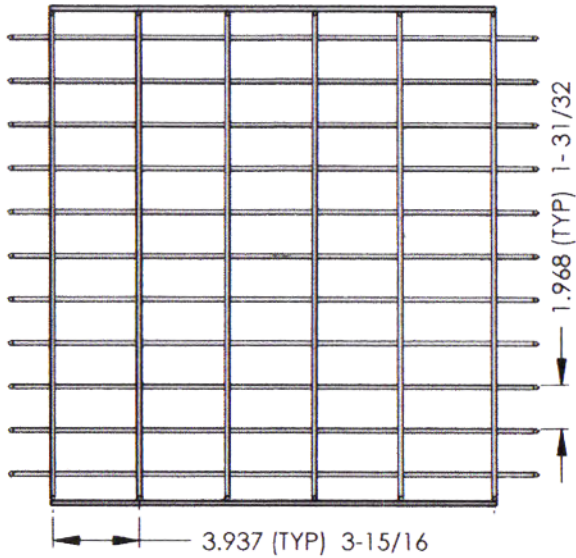
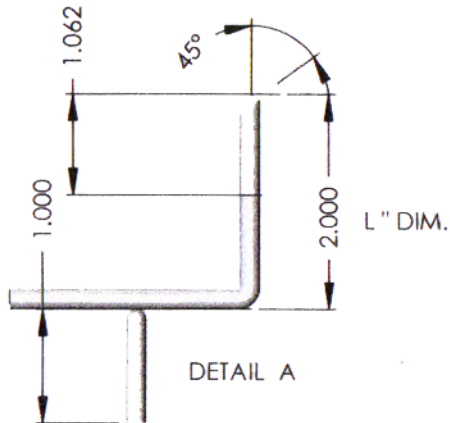
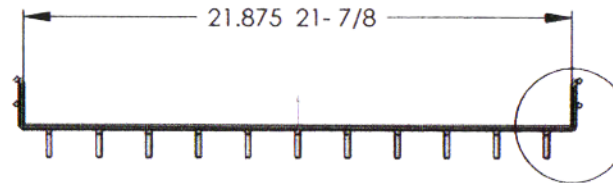


COMPONENT LIST			
L" DIM.		MADE FROM	CO WIRE .196 DIA.
		P/N FT XX 24X24	
2"		2X24X24	
4"		4X24X24	
6"		6X24X24	



GENERAL NOTES:

- A) MATERIAL TO BE HOT DIPPED, PRE-GALVANIZED STEEL, ASTM A641, TO AVOID THE FORMATION OF ZINC WHISKERS.
- B) FINISH:  
1) POLYESTER POWER COATING.
- C) DIMENSION TOLERANCE  
1) WIRE SPACING +/- 1/16"  
2) LENGTH +/- 1/16"  
3) WIDTH +/- 1/8"  
4) DEPTH +/- 1/8"  
5) ANGULAR FORMATION + 3 DEG. / - 0 DEG.  
6) CAMBER: SHALL NOT EXCEED 1/8" ON STANDARD 2" LENGTH.  
7) TWIST: SHALL NOT EXCEED 1/8" ON STANDARD 2" LENGTH.
- D) WIRE DIA.  
1) .196" DIA.



UNLESS OTHERWISE SPECIFIED: DIMENSIONS ARE IN INCHES.				DEBUR AND BREAK SHARP EDGES		 <small>A Product of</small>	
REVISION	NAME	CHANGE	DATE			TITLE: <b>FLOORFLEX-TRAY</b>	
A	AF		3-3-10			DWG NO. <b>FT XX 24 X 24</b>	
					MATERIAL:	SCALE:1:10	
					WEIGHT:	SHEET 1 OF 1	